



# NexSys<sup>®</sup>

TPPL



## NexSys<sup>®</sup> TPPL batteries for bag tractors, belt loaders and other airport Ground Support Equipment (GSE)

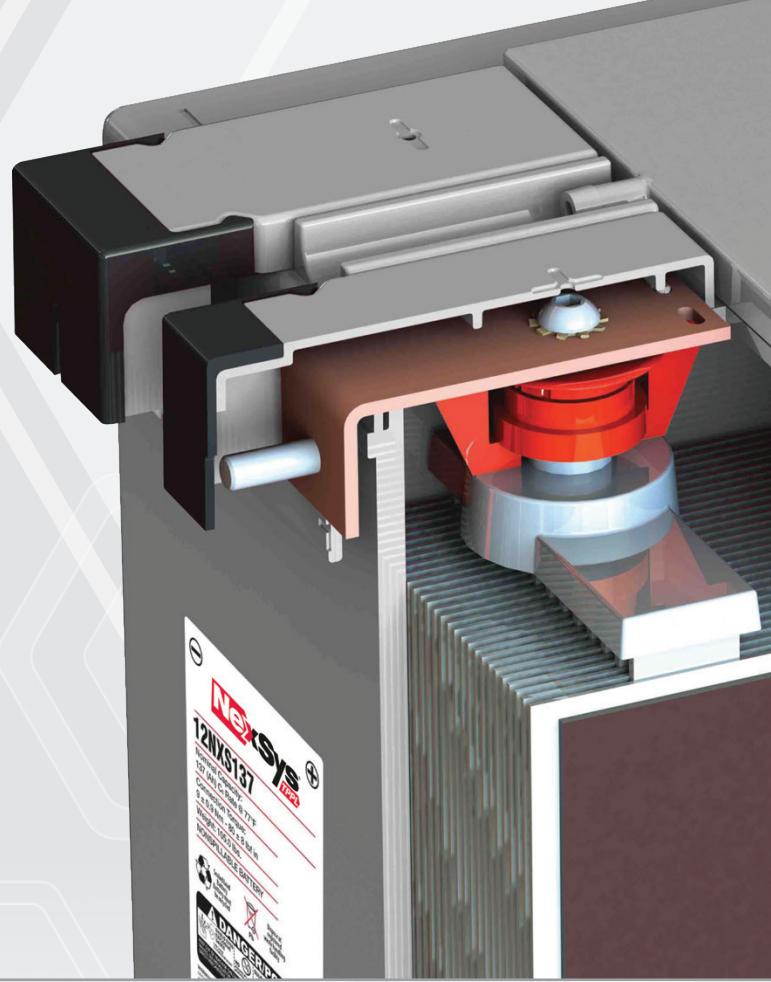
### Eliminate watering, optimize productivity

Watering in Ground Support Equipment (GSE) can significantly drive up maintenance costs. NexSys<sup>®</sup> TPPL batteries from EnerSys<sup>®</sup> offer a virtually maintenance-free solution.

Manufactured with Thin Plate Pure Lead (TPPL) technology, NexSys<sup>®</sup> batteries have more plate surface area for higher power density and increased efficiency. Able to withstand shock, vibration and extreme temperatures, NexSys<sup>®</sup> TPPL batteries provide longer life and full charging in less than half the time of conventional flooded batteries.

Ideal for opportunity charging, NexSys<sup>®</sup> TPPL batteries also offer ground support crews added flexibility for charging between flights — with no long equalization charging required. This ensures your equipment is always ready when you need it.

Reduce maintenance costs and optimize your ground support operations with NexSys<sup>®</sup> TPPL batteries from EnerSys.



## Thin Plate Pure Lead (TPPL) Design

NexSys® TPPL batteries are constructed with pure lead plates. Pure lead plates are extremely thin, so more of them fit into the battery. More plates mean more power – up to 20% more power than the same sized conventional flooded battery.



**Virtually maintenance-free**  
No watering, battery cleaning or long equalize charges



**Fast charge in less than 2 hours; plug-in during breaks\***



**Cell connectors are cast and bonded to the plates**



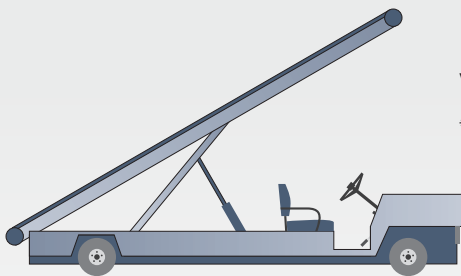
**Very low internal resistance means more power when you need it most**



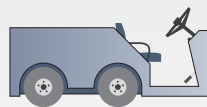
**Optimized cycling performance and high energy throughput**

NexSys® TPPL batteries reduce maintenance and increase availability for a wide range of equipment used at airports including people movers.

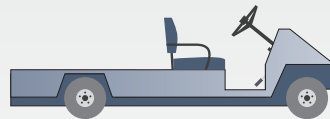
\* with appropriately sized charger



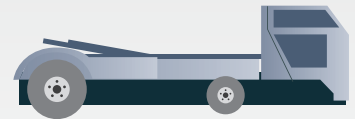
Belt Loader



Bag Tractor



Burden Carrier



Plane Push Back



**World Headquarters**  
2366 Bernville Road  
Reading, PA 19605 USA  
+1-610-208-1991 / +1-800-538-3627

**EnerSys EMEA**  
EH Europe GmbH  
Baarerstrasse 18  
6300 Zug Switzerland

**EnerSys Asia**  
152 Beach Road  
Gateway East Building #11-08  
Singapore 189721 / +65 6416 4800