



an EnerSys® company

Emergency Power Off

Battery Disconnect Switch



- Push-turn red mushroom button
- Normally open switch contact rated at 600VDC
- PG13.5/M20 and PG16/M20 holes for cable glands
- Wall mount holes
- Compact design
- UL recognized components

The Emergency Power Off (EPO) battery disconnect switch is a compact and sturdy push-button unit that allows remote load disconnect for the Alpha® DCX™ Series battery disconnect system family.

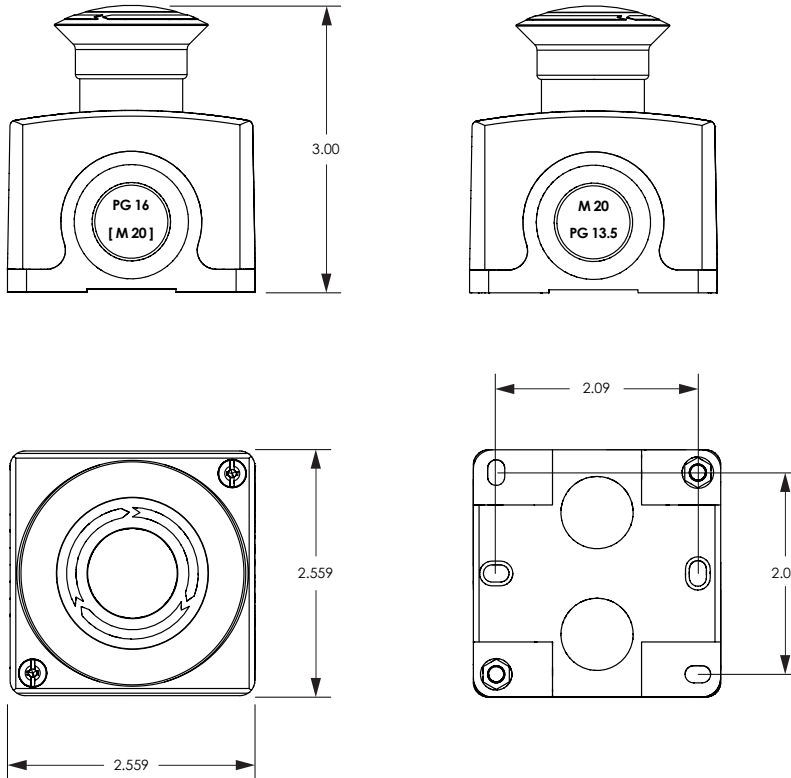
Emergency Power Off Battery Disconnect Switch Specifications

Mechanical

Dimensions L x H x D (in/mm): 2.6 x 3 x 2.6 / 66 x 76 x 66

Model Configurations

Part Number	Description
C016-211-10	EPO - Emergency Power Off Switch for DCX Battery Disconnect Systems



an EnerSys® company

Alpha Technologies Services, Inc. USA: 3767 Alpha Way, Bellingham, WA 98226 Canada: 7700 Riverfront Gate, Burnaby, BC V5J 5M4
 Toll Free North America: +1 800 322 5742 Outside US: +1 360 647 2360 Technical Support: +1 800 863 3364
 For more information visit www.alpha.com

© 2021 Alpha Technologies Services, Inc. All Rights Reserved. Trademarks and logos are the property of Alpha Technologies Services, Inc., EnerSys and its affiliates unless otherwise noted. Subject to revisions without prior notice. E. & O.E.

01/2021
 #C048-751-00 R02 REV B