



PowerSafe[®]
GC-M
Switchgear, UPS and Utility

Performance Data

Features and Benefits

- Capacity range 875 - 3550Ah
- Lead-calcium alloy
- Electrolyte reserve reduces watering requirements
- Standard Styrene Acrylonitrile (SAN) jar with flame retardant PVC UL94 V-0 cover; flame retardant PC jar and cover available
- Thick positive grids maximize performance in long discharge applications
- 20 year life expectancy in float service at 77°F(25°C) ambient temperature

Construction

- 0.30" thick positive grids provide excellent long discharge rates and long life
- Negative plate configuration enhances high rate performance
- Separator – microporous rubber with "Vitrex" glass fiber retainers
- Electrolyte – dilute sulfuric acid with specific gravity of 1.215
- Slide-Lock™ post seal design
- Flame arrestors – included for increased operational safety

Installation & Operation

- Space efficient footprint
- Designed to be rack mounted with easy access to posts
- Excellent long discharge and complex duty cycle capability for switchgear applications
- Lead-calcium design reduces maintenance (less watering) over traditional lead antimony batteries
- Operating temperature: 32°F (0°C) to 104°F (40°C)
Recommended temperature: 68°F (20°C) to 86°F (30°C)

Standards

- The management systems governing the manufacture of this product are ISO 9001:2008 and ISO 14001:2004 certified

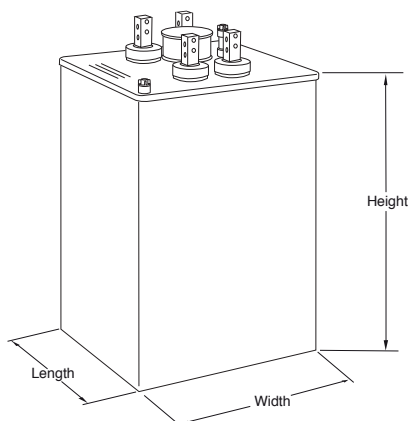
General Specifications

Cell Type ¹	Nominal Voltage*	Nominal Dimensions						Weight - Volumes							
		Length**		Width		Height		Unpacked		Domestic Packed		Electrolyte only/1.215 S.G.			
		in	mm	in	mm	in		lbs	kg	lbs	kg	lbs	kg	gal	liters
2GC-09M	875	12.4	315	15.1	384	26.4	671	375	170.5	395	179.5	136	61.8	13.6	51.7
2GC-11M	1020	12.4	315	15.1	384	26.4	671	410	186.4	430	195.5	127	57.7	12.7	48.3
2GC-13M	1140	12.4	315	15.1	384	26.4	671	445	202.3	465	211.4	119	54.1	11.9	45.2
2GC-15M	1225	12.4	315	15.1	384	26.4	671	485	220.5	505	229.5	111	50.5	11.1	42.2
2GC-17M	1540	16.6	422	15.1	384	26.4	671	585	265.9	607	275.9	163	74.1	16.3	61.9
2GC-19M	1630	16.6	422	15.1	384	26.4	671	620	281.8	642	291.8	155	70.5	15.5	58.9
2GC-21M	1695	16.6	422	15.1	384	26.4	671	655	297.7	677	307.7	147	66.8	14.7	55.9
2GC-23M	1745	16.6	422	15.1	384	26.4	671	695	315.9	717	325.9	139	63.2	13.9	52.8
GC-25M	2260	12.4	315	15.1	384	26.4	671	440	200	460	209.1	123	55.9	12.3	46.7
GC-27M	2360	12.4	315	15.1	384	26.4	671	460	209.1	480	218.2	119	54.1	11.9	45.2
GC-29M	2450	12.4	315	15.1	384	26.4	671	480	218.2	500	227.3	115	52.3	11.5	43.7
GC-31M	2515	12.4	315	15.1	384	26.4	671	495	225	515	234.1	111	50.5	11.1	42.2
GC-33M	2560	12.4	315	15.1	384	26.4	671	515	234.1	535	243.2	107	48.6	10.7	40.7
GC-35M	3085	16.6	422	15.1	384	26.4	671	610	277.3	632	287.3	160	72.7	16	60.8
GC-37M	3200	16.6	422	15.1	384	26.4	671	630	286.4	652	296.4	156	70.9	15.6	59.3
GC-39M	3300	16.6	422	15.1	384	26.4	671	650	295.5	672	305.5	152	69.1	15.2	57.8
GC-41M	3385	16.6	422	15.1	384	26.4	671	665	302.3	687	312.3	148	67.3	14.8	56.2
GC-43M	3470	16.6	422	15.1	384	26.4	671	685	311.4	707	321.4	144	65.5	14.4	54.7
GC-45M	3550	16.6	422	15.1	384	26.4	671	705	320.5	727	330.5	140	63.6	14	53.2

¹ Prefix number indicates cells per unit. Suffix number indicates total plates per cell.

*Nominal Ah capacity is based on an 8 hour rate to 1.75 volts per cell @ 77°F (25°C)

** 0.25" must be added between units for spacing purposes when calculating total battery length.



Constant Current

Discharge Rates in Amperes* to 1.75Vpc at 25°C (77°F)**

Cell Type	NOM Ah Cap. ¹	Minutes			Hours									
		1	15	30	1	1.5	2	3	4	5	8	12	24	72
2GC-09M	875	717	670	549	410	331	279	216	178	153	109	79	47	20
2GC-11M	1020	877	809	666	496	398	335	258	211	180	128	92	53	22
2GC-13M	1140	1029	938	775	576	461	386	294	240	204	142	101	58	23
2GC-15M	1225	1173	1056	875	650	517	431	326	264	223	153	108	60	23
2GC-17M	1540	1404	1306	1072	788	627	524	398	324	275	192	137	78	31
2GC-19M	1630	1564	1431	1172	859	681	566	428	347	293	204	144	81	31
2GC-21M	1695	1721	1548	1266	924	729	604	454	366	308	212	149	82	31
2GC-23M	1745	1878	1658	1354	984	773	638	476	382	321	218	153	82	30
GC-25M	2260	2104	1870	1535	1137	908	760	580	473	403	282	201	116	46
GC-27M	2360	2231	1987	1633	1207	962	804	612	497	422	295	210	119	47
GC-29M	2450	2351	2099	1726	1275	1014	846	641	520	440	306	217	121	46
GC-31M	2515	2466	2205	1814	1338	1062	884	667	539	455	314	222	122	46
GC-33M	2560	2576	2306	1897	1398	1107	919	691	556	468	320	226	122	44
GC-35M	3085	2772	2487	2052	1523	1217	1020	781	640	545	386	277	160	65
GC-37M	3200	2874	2595	2146	1597	1277	1069	817	667	568	400	286	163	65
GC-39M	3300	2970	2696	2235	1667	1333	1116	851	693	589	413	294	166	65
GC-41M	3385	3065	2794	2323	1737	1389	1162	883	717	608	423	301	167	64
GC-43M	3470	3149	2890	2409	1805	1444	1207	916	742	627	434	307	169	63
GC-45M	3550	3245	2994	2503	1879	1503	1255	948	766	646	444	313	169	61

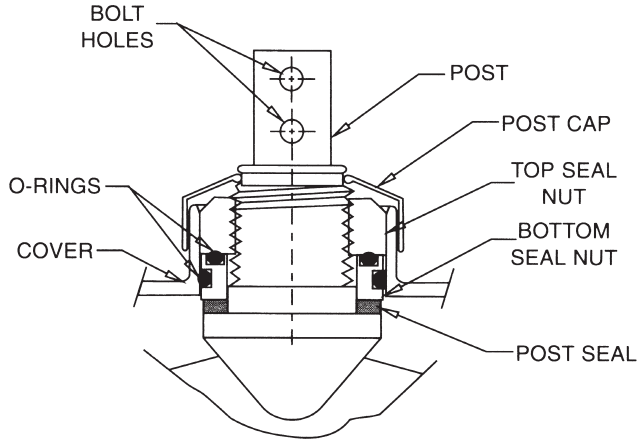
*Ampere values listed represent 100% of the cell's initial capacity.
 **1.215 S.G. electrolyte at 77°F (25°C) includes intercell connector drop.
¹Nominal Amp-hour capacity at the 8 hour rate.
 All data subject to change without notice.

Discharge Rates in Amperes* to 1.81Vpc at 25°C (77°F)**

Cell Type	NOM Ah Cap. ¹	Minutes			Hours									
		1	15	30	1	1.5	2	3	4	5	8	12	24	72
2GC-09M	875	717	670	549	410	331	279	216	178	153	109	79	47	20
2GC-11M	1020	877	809	666	496	398	335	258	211	180	128	92	53	22
2GC-13M	1140	1029	938	775	576	461	386	294	240	204	142	101	58	23
2GC-15M	1225	1173	1056	875	650	517	431	326	264	223	153	108	60	23
2GC-17M	1540	1404	1306	1072	788	627	524	398	324	275	192	137	78	31
2GC-19M	1630	1564	1431	1172	859	681	566	428	347	293	204	144	81	31
2GC-21M	1695	1721	1548	1266	924	729	604	454	366	308	212	149	82	31
2GC-23M	1745	1878	1658	1354	984	773	638	476	382	321	218	153	82	30
GC-25M	2260	2104	1870	1535	1137	908	760	580	473	403	282	201	116	46
GC-27M	2360	2231	1987	1633	1207	962	804	612	497	422	295	210	119	47
GC-29M	2450	2351	2099	1726	1275	1014	846	641	520	440	306	217	121	46
GC-31M	2515	2466	2205	1814	1338	1062	884	667	539	455	314	222	122	46
GC-33M	2560	2576	2306	1897	1398	1107	919	691	556	468	320	226	122	44
GC-35M	3085	2772	2487	2052	1523	1217	1020	781	640	545	386	277	160	65
GC-37M	3200	2874	2595	2146	1597	1277	1069	817	667	568	400	286	163	65
GC-39M	3300	2970	2696	2235	1667	1333	1116	851	693	589	413	294	166	65
GC-41M	3385	3065	2794	2323	1737	1389	1162	883	717	608	423	301	167	64
GC-43M	3470	3149	2890	2409	1805	1444	1207	916	742	627	434	307	169	63
GC-45M	3550	3245	2994	2503	1879	1503	1255	948	766	646	444	313	169	61

*Ampere values listed represent 100% of the cell's initial capacity.
 **1.215 S.G. electrolyte at 77°F (25°C) includes intercell connector drop.
¹Nominal Amp-hour capacity at the 8 hour rate.
 All data subject to change without notice.

Slide-Lock™ Post Seal



Catalog Rint and Isc Catalog Values

Cell Type	*Resistance	Isc
	Milliohms	Amps
GC-09M	0.275	7270
GC-11M	0.24	8330
GC-13M	0.213	9380
GC-15M	0.193	10370
GC-17M	0.148	13560
GC-19M	0.138	14520
GC-21M	0.128	15630
GC-23M	0.118	16920
GC-25M	0.107	18750
GC-27M	0.101	19850
GC-29M	0.095	21050
GC-31M	0.089	22390
GC-33M	0.085	23530
GC-35M	0.076	26150
GC-37M	0.074	27070
GC-39M	0.072	27740
GC-41M	0.071	28370
GC-43M	0.069	28970
GC-45M	0.067	29930

* Resistance values are for reference only
not intended to represent an ohmic value or
base line measurement.



EnerSys World Headquarters
2366 Bernville Road
Reading, PA 19605, USA
Tel: +1-610-208-1991 /
+1-800-538-3627

EnerSys EMEA
EH Europe GmbH
Baarerstrasse 18
6300 Zug
Switzerland

EnerSys Asia
152 Beach Road
Gateway East Building #11-08
Singapore 189721
Tel: +65 6416 4800

Contact: