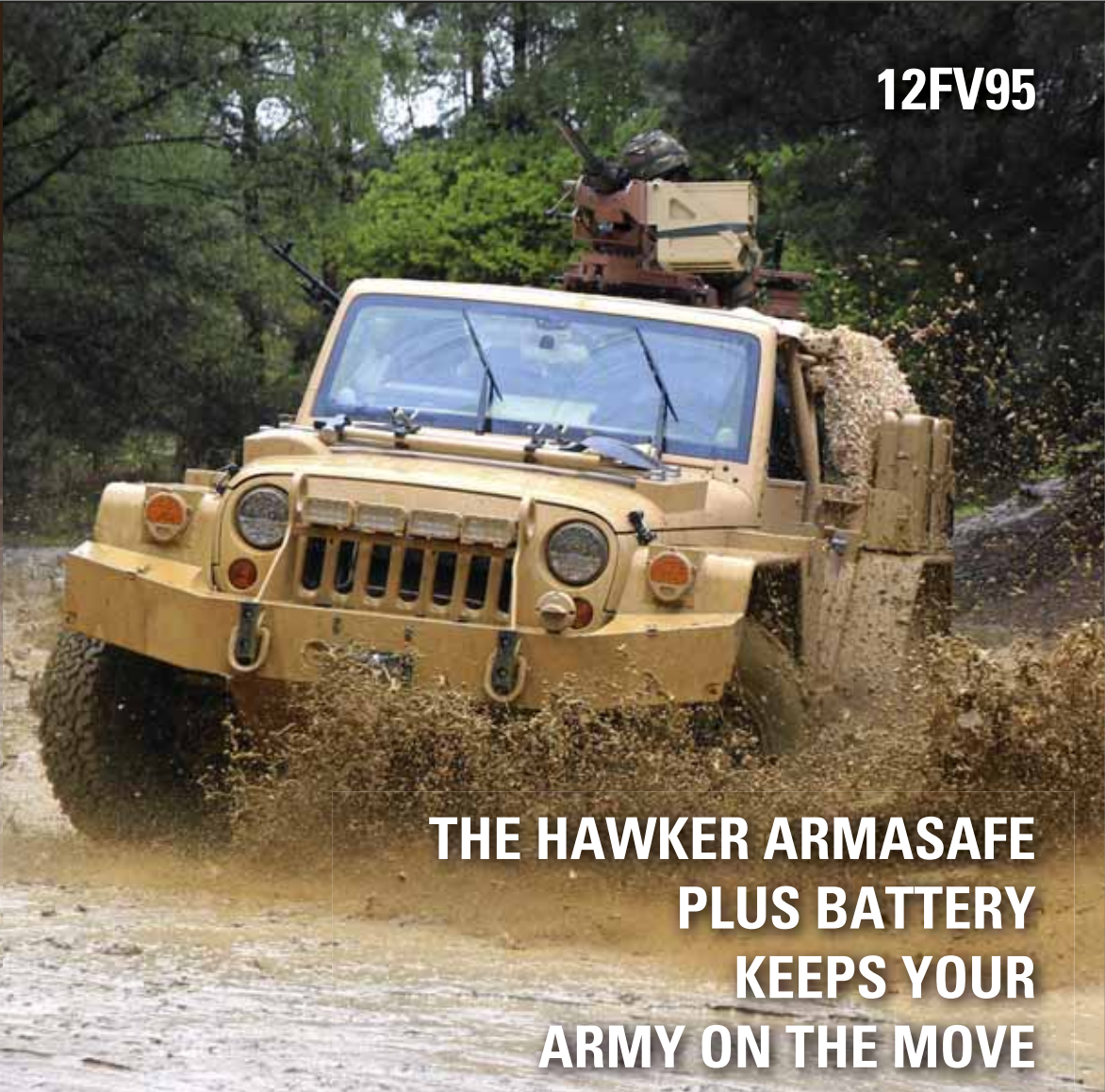




12FV95

Maintenance-free
AGM TPPL
Rechargeable VRLA
battery for military
applications



THE HAWKER ARMASAFE
PLUS BATTERY
KEEPS YOUR
ARMY ON THE MOVE

ARMASAFE
plus



The **ARMASAFE Plus** series utilises the proven EnerSys® Thin Plate Pure Lead valve regulated technology, to meet the diverse and demanding energy storage needs of the modern world. Today over 2 million batteries have been installed on a wide range of combat and tactical vehicles throughout the world.

EnerSys TPPL technology packs more power into the same space as a conventional battery, as well as reducing the corrosion and water losses through the purity of the materials used in construction, providing extended storage and service life as well as increasing the ability to survive and recover from abusive deep discharges.

The inherent design of the VRLA Armasafe battery minimises gas evolution and eliminates the need to top up periodically with water. The electrolyte is fully absorbed into the glass mat separators between the positive and negative plates, which mean there is no free acid within the battery case; this gives increased flexibility in mounting position.



12FV95-C Part Number: 9750N7071

12FV95-B Part Number: 9750N7073



SPECIFICATIONS:

Technical Data:

Technology	*TPPL / *AGM / *VRLA
Nominal Voltage	12 V
Charging Voltage	14.4 V @ 20°C
Float Voltage	13.74 V @ 20°C
Nominal Capacity C_{20}	95 Ah
CCA (EN)	750 A
Internal Resistance	3 mΩ
Temperature	
Performance Range	-40°C to +80°C
Cycle life at 20% of *DoD	3500
Cycle life at 50% of *DoD	1650
Cycle life at 80% of *DoD	680
Weight	27.3 kg
Storage at 25°C without recharge	30 Months
Flame Retardancy	Non Flame Retardant
Battery poles according to	EN50342-2

*TPPL: Thin Plate Pure Lead

*AGM: Absorbed Glass Mat

*VRLA: Valve Regulated Lead Acid

*DoD: Depth of Discharge

*CCA: Cold Cranking Amps

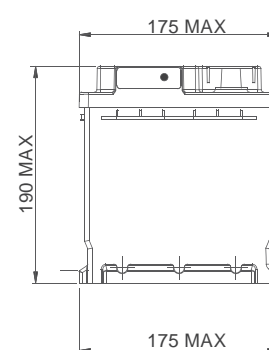
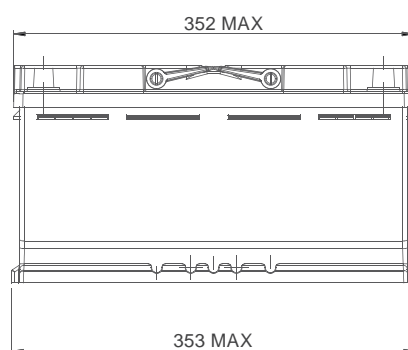
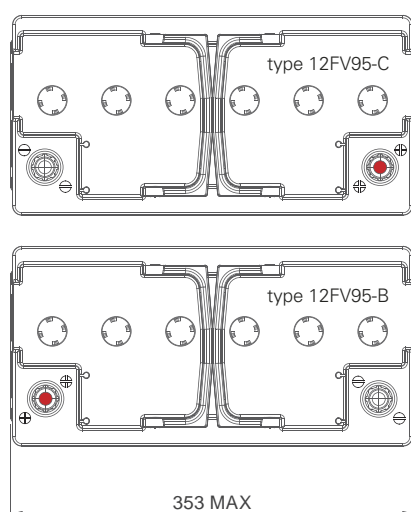
Features & Benefits:

Designed in compliance with

EN 50342

- Installation orientation: can be mounted in any orientation except inverted
- Recombination efficiency 99%
- Integrated flame arresters - Protection against flame transmission
- UN Transportation classification UN2800-Class 8 exempt
- 97% Recyclability
- Shock resistant
- Maintenance-free
- Long shelf life
- Ability to survive and recover from abusive discharges
- Superior cold cranking performance
- Excellent cyclic capability
- Superb charge acceptance

Dimensions:



Energys_ArmaSafe_Plus_12FV95_Sept-2015_V01_EN



Energys EMEA Headquarter
EH Europe GmbH
Löwenstrasse 32
8001 Zürich
Switzerland

For enquiries please contact:
Tel: +48 33 822 53 91
Fax: +48 33 822 52 09
AandD.Sales@ch.energys.com

Contact: