

**CHARGING
SOLUTIONS**

NEXSYS[®] CHARGERS

ADVANCED CHARGING
SOLUTION FOR YOUR
NEXSYS BATTERY



EnerSys
Power/Full Solutions

CHARGING SOLUTIONS

NexSys® & NexSys+



24V35A 30/01/14
Bat +20 °C

NexSys® LCD SCREEN



105 V
39 A
25°C
400 Ah

NexSys+ MULTICOLOUR TFT SCREEN



NexSys® COMpact ON BOARD



DISCOVER THE BENEFITS OF NEXSYS® THE MOST INNOVATIVE LEAD ACID POWER PACK ON THE MARKET!

FAST, CLEAN AND EFFICIENT

EnerSys® offers a range of NexSys® charger types to provide operational flexibility and charging features to ensure you get the optimum life from your NexSys battery. Available in 1 or 3 phase, they have multi voltage and multi capacity adaptation and offer both standard and fast charge options. In addition, the Thin Plate Pure Lead technology which is at the heart of a NexSys battery makes them ideal for fast and opportunity charging.

All our NexSys packages come with a choice of charger perfectly suited to your application.

Our small NexSys® COMpact™ charger can be installed inside the battery tray. This 24 volt 1 or 2Kw charger is ideal for smaller bloc or cell 24 volt systems and allows the charger to travel with you for easy, convenient, point of use charging.

The larger capacity NexSys and NexSys+ chargers are based on our very successful Modular charger range. The NexSys modular charger provides safe, uncompromised energy efficient charging for Standard packages whilst the NexSys+ with its additional ability to communicate to the battery Wi-iQ® monitor and most AGV control systems is designed for the NexSys Fast package.

Together, the specific charging profiles inside our NexSys charger range allow fast, safe, clean and efficient charging, making the NexSys system the most flexible and adaptable lead acid energy system on the market today.

- Modular concept
- Multi voltage
- Multi capacity with extendable output power by adding modules
- Increased energy savings with efficiency up to 94%
- Reduction of carbon footprint with optimised charge factor
- CE / UL compliant
- CEC approved
- 1 and 3 Phase, all regions
- Automatic temperature adjustment with Wi-iQ®
- Data history download
- Network capable on NexSys+
- PLC capable
- 4.3" TFT colour display on NexSys+
- Lightweight, modern design
- Free-standing or wall mounting
- DC cable holder
- Arcless safety plug disconnect

NexSys® & NexSys+® Modular

MATCHING TABLE OF CAPACITY

CHARGE PROFILES **		VOLT	NXSBLOC		NXSTND		NXFAST ~	
ALLOWABLE CHARGE RATE x C5			max 0.70 min 0.20		max 0.25 min 0.20		max 0.40 min 0.26	
NEXSYS BATTERY RANGE			Ah C5 Range		Ah C5 Range		Ah C5 Range	
SINGLE PHASE		~ NXFAST must use NXS+ charger						
TC1 NXS Modular 12V 1kW	Not Available	12	52	180	144	180	90	139
TC1 NXS Modular 24V 1kW	TC1 NXS+ Modular 24V 1kW*	24	52	180	144	180	90	139
TC1 NXS Modular 24V 2kW	TC1 NXS+ Modular 24V 2kW		103	360	288	360	180	277
TC1 NXS Modular 24V 3kW	TC1 NXS+ Modular 24V 3kW		154	540	432	540	270	416
TC1 NXS Modular 36/48V 1kW	TC1 NXS+ Modular 36/48V 1kW*	36	36	125	100	125	63	97
TC1 NXS Modular 36/48V 2kW	TC1 NXS+ Modular 36/48V 2kW		72	250	200	250	125	193
TC1 NXS Modular 36/48V 3kW	TC1 NXS+ Modular 36/48V 3kW		108	375	300	375	188	289
TC1 NXS Modular 36/48V 1kW	TC1 NXS+ Modular 36/48V 1kW*	48	26	90	72	90	45	70
TC1 NXS Modular 36/48V 2kW	TC1 NXS+ Modular 36/48V 2kW		52	180	144	180	90	139
TC1 NXS Modular 36/48V 3kW	TC1 NXS+ Modular 36/48V 3kW		78	270	216	270	135	208
THREE PHASE		~ NXFAST must use NXS+ charger						
TC3 NXS Modular 24/36/48V 3.5kW	TC3 NXS+ Modular 24/36/48V 3.5kW	24	100	350	280	350	175	270
TC3 NXS Modular 24/36/48V 7kW	TC3 NXS+ Modular 24/36/48V 7kW		200	700	560	700	350	539
TC3 NXS Modular 24/36/48V 10.5kW	TC3 NXS+ Modular 24/36/48V 10.5kW		300	1050	840	1050	525	808
TC3 NXS Modular 24/36/48V 14kW	TC3 NXS+ Modular 24/36/48V 14kW		400	1400	1120	1400	700	1077
TC3 NXS Modular 24/36/48V 17.5kW	TC3 NXS+ Modular 24/36/48V 17.5kW		458	1600	1280	1600	800	1231
TC3 NXS Modular 24/36/48V 21kW	TC3 NXS+ Modular 24/36/48V 21kW		458	1600	1280	1600	800	1231
TC3 NXS Modular 24/36/48V 3.5kW	TC3 NXS+ Modular 24/36/48V 3.5kW	36	93	325	260	325	163	250
TC3 NXS Modular 24/36/48V 7kW	TC3 NXS+ Modular 24/36/48V 7kW		186	650	520	650	325	500
TC3 NXS Modular 24/36/48V 10.5kW	TC3 NXS+ Modular 24/36/48V 10.5kW		279	975	780	975	488	750
TC3 NXS Modular 24/36/48V 14kW	TC3 NXS+ Modular 24/36/48V 14kW		372	1300	1040	1300	650	1000
TC3 NXS Modular 24/36/48V 17.5kW	TC3 NXS+ Modular 24/36/48V 17.5kW		465	1625	1300	1625	813	1250
TC3 NXS Modular 24/36/48V 21kW	TC3 NXS+ Modular 24/36/48V 21kW		458	1600	1280	1600	800	1231
TC3 NXS Modular 24/36/48V 3.5kW	TC3 NXS+ Modular 24/36/48V 3.5kW	48	86	300	240	300	150	231
TC3 NXS Modular 24/36/48V 7kW	TC3 NXS+ Modular 24/36/48V 7kW		172	600	480	600	300	462
TC3 NXS Modular 24/36/48V 10.5kW	TC3 NXS+ Modular 24/36/48V 10.5kW		258	900	720	900	450	693
TC3 NXS Modular 24/36/48V 14kW	TC3 NXS+ Modular 24/36/48V 14kW		343	1200	960	1200	600	924
TC3 NXS Modular 24/36/48V 17.5kW	TC3 NXS+ Modular 24/36/48V 17.5kW		429	1500	1200	1500	750	1154
TC3 NXS Modular 24/36/48V 21kW	TC3 NXS+ Modular 24/36/48V 21kW		458	1600	1280	1600	800	1231
TC3 NXS Modular 72/80V 3.5kW	TC3 NXS+ Modular 72/80V 3.5kW	72	58	200	160	200	100	154
TC3 NXS Modular 72/80V 7kW	TC3 NXS+ Modular 72/80V 7kW		115	400	320	400	200	308
TC3 NXS Modular 72/80V 10.5kW	TC3 NXS+ Modular 72/80V 10.5kW		172	600	480	600	300	462
TC3 NXS Modular 72/80V 14kW	TC3 NXS+ Modular 72/80V 14kW		229	800	640	800	400	616
TC3 NXS Modular 72/80V 17.5kW	TC3 NXS+ Modular 72/80V 17.5kW		286	1000	800	1000	500	770
TC3 NXS Modular 72/80V 21kW	TC3 NXS+ Modular 72/80V 21kW		343	1200	960	1200	600	924
TC3 NXS Modular 72/80V 3.5kW	TC3 NXS+ Modular 72/80V 3.5kW	80	52	180	144	180	90	139
TC3 NXS Modular 72/80V 7kW	TC3 NXS+ Modular 72/80V 7kW		103	360	288	360	180	277
TC3 NXS Modular 72/80V 10.5kW	TC3 NXS+ Modular 72/80V 10.5kW		155	540	432	540	270	416
TC3 NXS Modular 72/80V 14kW	TC3 NXS+ Modular 72/80V 14kW		206	720	576	720	360	554
TC3 NXS Modular 72/80V 17.5kW	TC3 NXS+ Modular 72/80V 17.5kW		258	900	720	900	450	693
TC3 NXS Modular 72/80V 21kW	TC3 NXS+ Modular 72/80V 21kW		309	1080	864	1080	540	831

* NexSys + charger not available 1 kW (1Bay). Must use 3 Bay /1 module

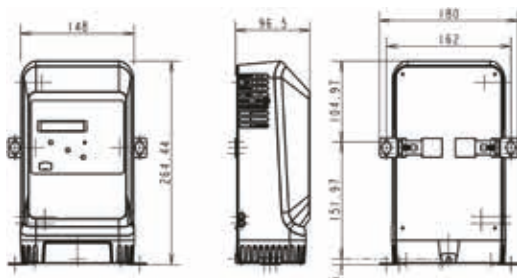
** Matching of NexSys battery and charger within site application must be approved by Enersys Technical prior to use

~ NXFAST applications must use NXS+ chargers. NXS + chargers have communication to battery through WiiQ

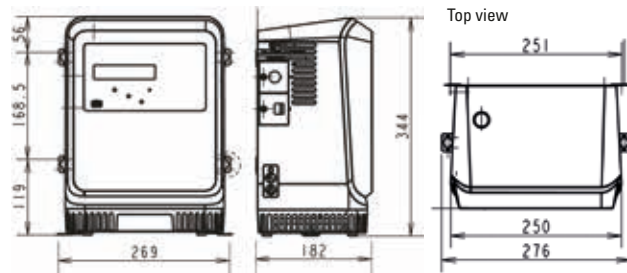
TECHNICAL SPECIFICATION - SINGLE PHASE (values @ nominal supply voltage 230Vac)

Specifications	Units	Stand Alone 1kW *			2kW		3kW	
Battery voltage		12V	24V	36/48V	24V	36/48V	24V	36/48V
Input voltage range	V _{ac}	85 - 265V / 1Ph (Nominal 230V +/- 10%)						
Frequency	Hz	50/60						
Max input current	A _{ac}	2.4	4.8	5.1	9.6	10.2	14.4	15.3
AC input cable section	mm ²	3 x 1.0			3 x 1.5			
AC input cable length	m	1.5						
Max output current	A _{dc}	36	36	25/18	72	50/36	108	75/54
Battery cables section	mm ²	6			25			
Battery cables length	m	3						
IP protection		IP21						
Operating temperature	°C	0°C to +55°C (Auto Derate after +45°C)						
Power factor		0.99						
Idle mode	W	≤10						
Display		2 line LCD (NexSys) - 4" TFT Multi Colour (NexSys +)						
Weight	kg	2.4			6.7		7.7	
Dimensions	mm	264 x 148 x 96.5 (no brackets)			344 x 250 x 182 (no brackets)			
Weight (w/airmix)	kg	* Not available on stand alone 1kW			10.0		11.0	
Dimensions (w/airmix)	mm	* Not available on stand alone 1kW			435 x 286 x 185 (no brackets)			
Cabinet		1 bay stand alone (1 module)			3 bay (2 modules)		3 bay (3 modules)	

1 Bay Standalone Cabinet



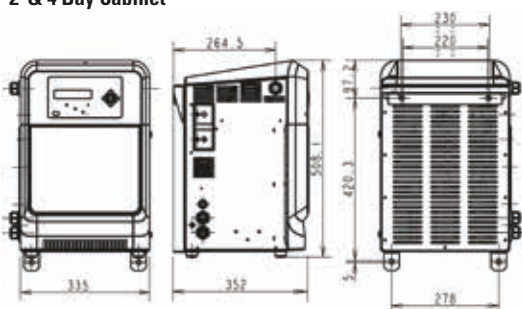
3 Bay Cabinet



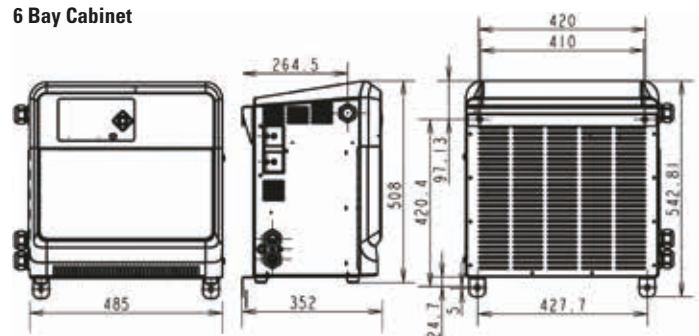
TECHNICAL SPECIFICATION - THREE PHASE (values @ nominal supply voltage 400Vac). *Restricted to max 320A DC output due to single plug limitation

Specifications	Units	3.5kW		7kW		10.5kW		14kW		17.5kW*		21kW*	
Battery voltage		24/36/48V	72/80V	24/36/48V	72/80V	24/36/48V	72/80V	24/36/48V	72/80V	24/36/48V	72/80V	24/36/48V	72/80V
Input voltage range	V _{ac}	360-530V / 3Ph (Nominal 400V +/- 10%)											
Frequency	Hz	50/60											
Max input current	A _{ac}	5.6	5.6	11.2	11.2	16.8	16.8	22.4	22.4	28.0	28.0	29.8	33.6
AC input cable section	mm ²	4 x 2.5				4 x 4.0				4 x 6.0			
AC input cable length	m	2											
Max output current	A _{dc}	70/65/60	40/36	140/130/120	80/72	210/195/180	120/108	280/260/240	160/144	320/320/300	200/180	320/320/320	240/216
Battery cables section	mm ²	35				70				95			
Battery cables length	m	3											
IP protection		IP21											
Operating temperature	°C	0°C to +55°C (Auto Derate after + 45°C)											
Power factor		0.95											
Idle mode	W	≤10											
Display		2 line LCD (NexSys) - 4" TFT Multi Colour (NexSys +)											
Weight	kg	26.0		29.5		33.5		37.0		44.5		48.0	
Dimensions	mm	508 x 335 x 352											
Weight (w/airmix)	kg	28.0		31.5		35.5		39.0		46.5		50.0	
Dimensions (w/airmix)	mm	508 x 335 x 352											
Cabinet		2 bay (1 module)		2 bay (2 modules)		4 bay (3 modules)		4 bay (4 modules)		6 bay (5 modules)		6 bay (6 modules)	

2 & 4 Bay Cabinet



6 Bay Cabinet



ABOUT ENERSYS®

EnerSys®, the global leader in stored energy solutions for industrial applications, manufactures and distributes reserve power and motive power batteries, battery chargers, power equipment, battery accessories and outdoor equipment enclosure solutions to customers worldwide.


Motive power batteries and chargers are utilised in electric forklift trucks and other commercial electric powered vehicles.

Reserve power batteries are used in the telecommunication and utility industries, uninterruptible power supplies, and numerous applications requiring stored energy solutions including medical, aerospace and defence systems.

Outdoor equipment enclosure products are utilised in the telecommunication, cable, utility, transportation industries and by government and defence customers.

The company also provides aftermarket and customer support services to its customers from over 100 countries through its sales and manufacturing locations around the world.

**WHEREVER
YOU DO BUSINESS,
ENERSYS
CAN SUPPORT
YOU WITH MOTIVE
POWER ENERGY.**





Power/Full Solutions

EnerSys Asia Headquarters

Gateway East Building
152 Beach Road
Singapore, 189721

China

Room 902, Sheng Gao Int. Building
No. 137 Xian Xia Road
Shanghai, PRC, 200131
+86 21 6273 6300

Australia

46 Egerton Street
Silverwater, NSW, 2128
Australia
+61 2 9739 9999

New Zealand

111B Kerwyn Avenue
East Tamaki, Auckland, 2013
New Zealand
+64 9 2654770

Singapore

No. 85 Tuas Ave 1
Singapore, 639518
+65 6558 7333

Malaysia

No. 10 Jalan Anggerik Mokara 31/47
Kota Kemuning, Seksyen 31
40460 Shah Alam
Selangor Darul Ehsan, Malaysia
+60 3 5125 1111

Philippines

East Main Avenue
Unit 3, LTI Standard Factory Building 1
Laguna Techno Park, Biñan, 4024, Laguna
Philippines
+63 49 530 165

India

Narasimharaopalem (V),
Veerullapadu (M),
Krishna Dist. – 521 181
Andhra Pradesh, India
+91 96525 25292

Japan

5F Mitaka Mitsubishi Building
Shimorenjyaku 3-26-12
Mitaka, 181 0013
Tokyo
+81 0422 70 3831



Please refer to the website address for details of your nearest EnerSys office:
www.enersys.com

© 2020 EnerSys. All rights reserved. All trademarks and logos are the property of
or licensed to EnerSys and its affiliates unless otherwise noted.

MPANXC001 10.2020 - Subject to revisions without prior notice. E&OE